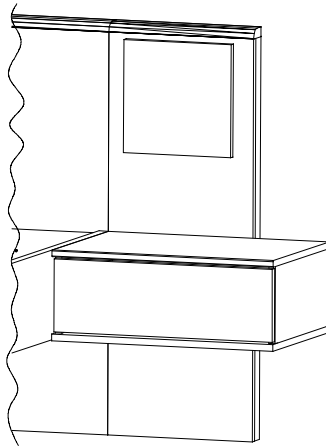
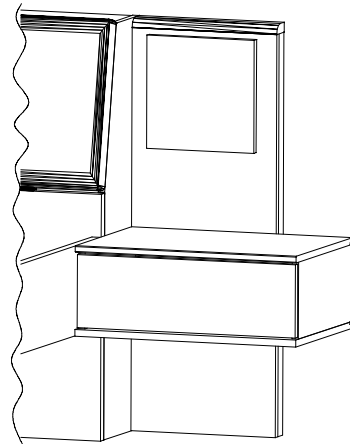


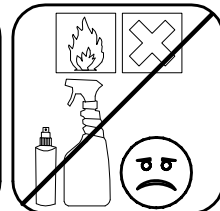
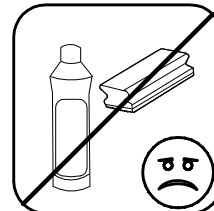
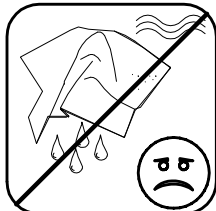
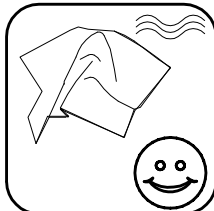
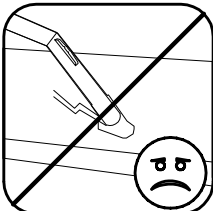
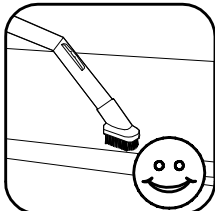
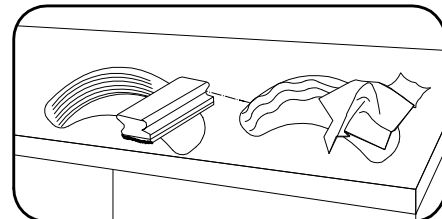
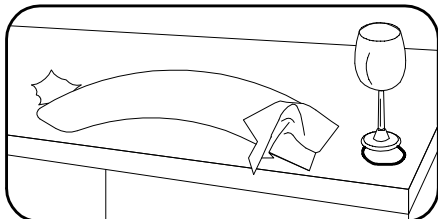
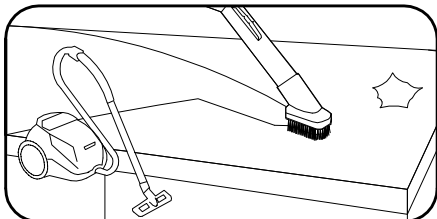
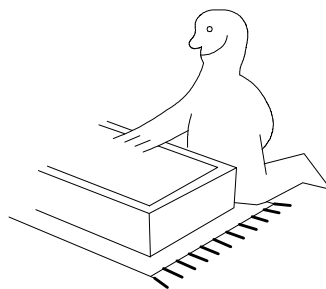
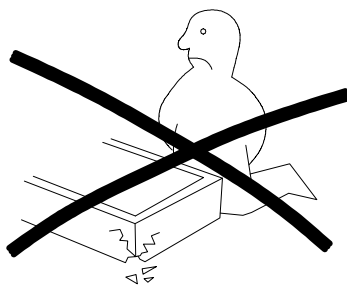
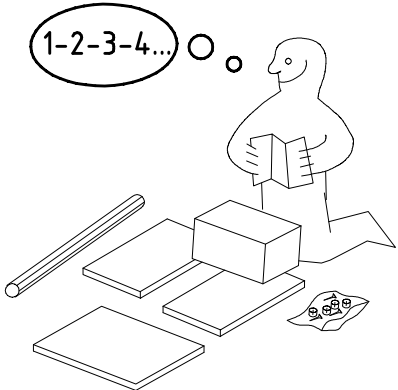
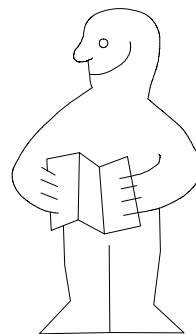
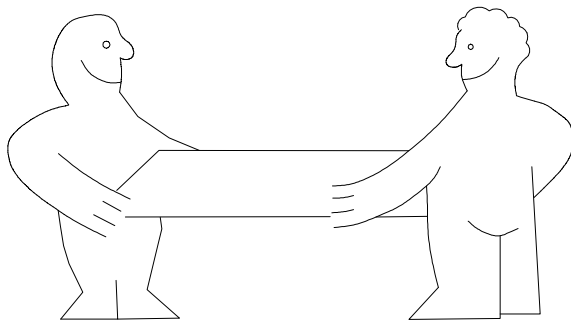
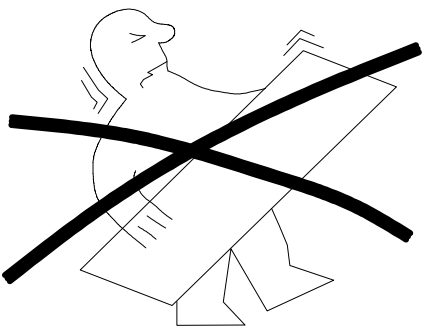
A

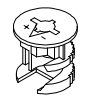
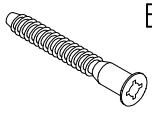
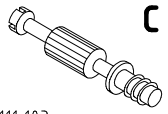



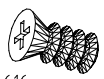
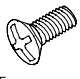
B







520 WX

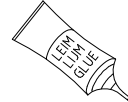
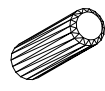


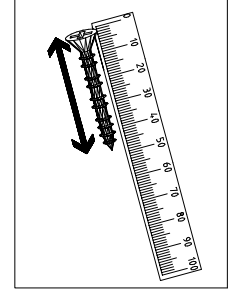
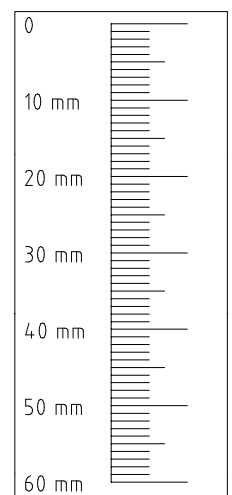
 111 102	A 8x
 111 609	B 8x
 111 103	C 8x


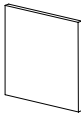

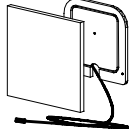
 112 190 M6 x 10	Y20 4x
 112 616 M4 x 9 mm	T3 8x
 111 015	G8 4x


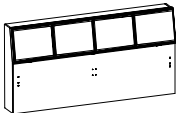
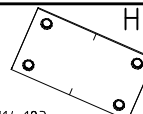
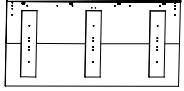

 121128 4 X 30mm	SP30 10x
 121 120 4 X 15mm	SP15 32x 20x
 111 xxx o30	o30 16x 10x

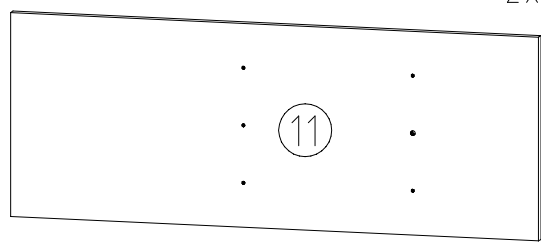
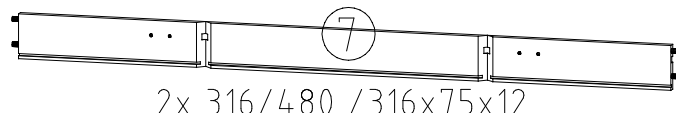
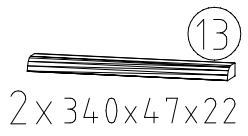
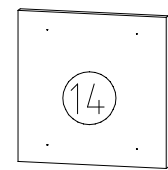
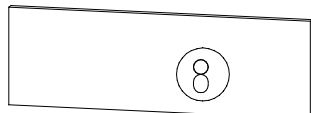
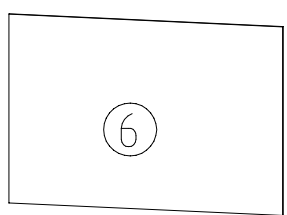
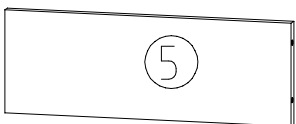
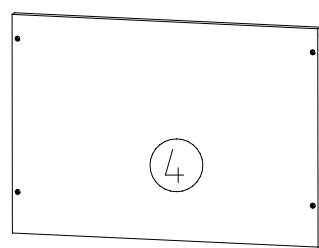
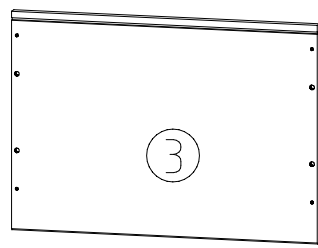
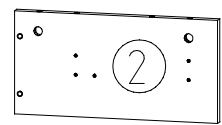
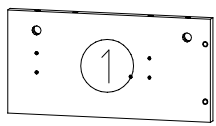
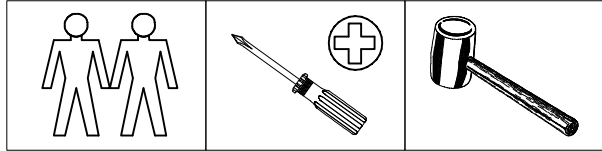
 111 xxx ø5 x 15 x M4	F5 8x
 111 xxx	GLH 4x
 121 010 M4 x 14	MS 14 8x

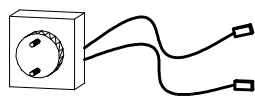
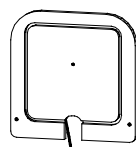
 163 007	Z 2x
 353 018 ø8 x 30	D 24x

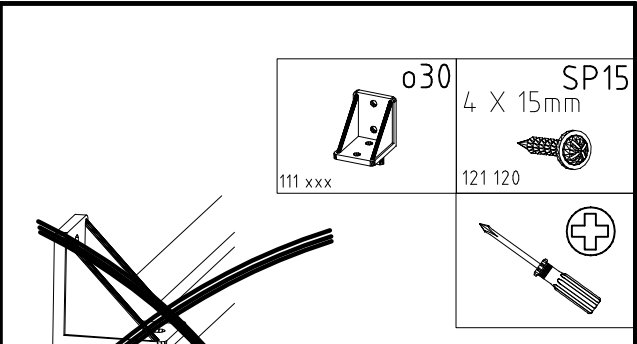
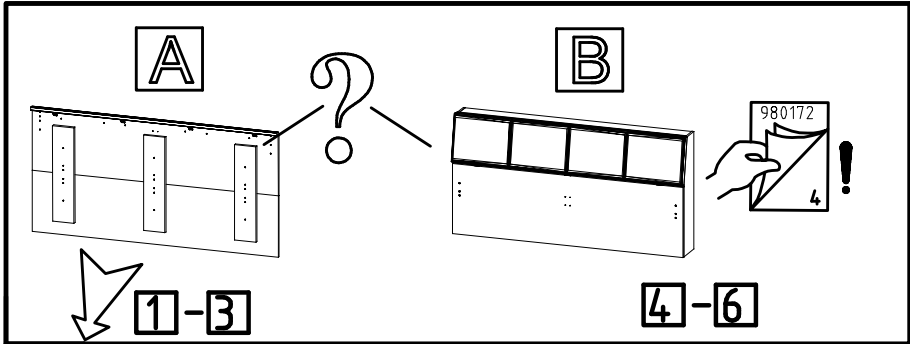


 122620 4 X 27mm	SP27 6x	
 122620 4 X 35 mm	SP35 6x	

 122620 4 X 27mm	SP27 6x	
 114 183	H5 6x	
 121 120 4 X 15mm	SP15 24x	

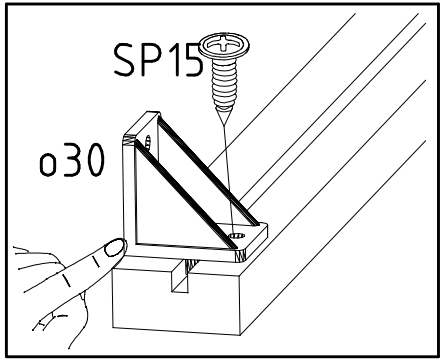
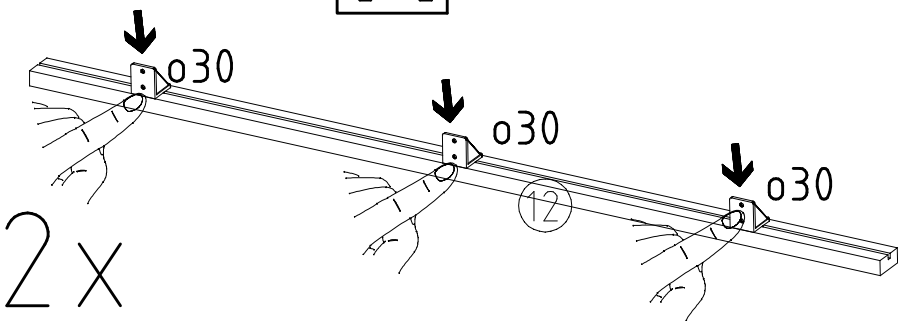


 TR	
	2x LED 212x212x10

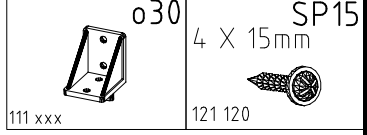
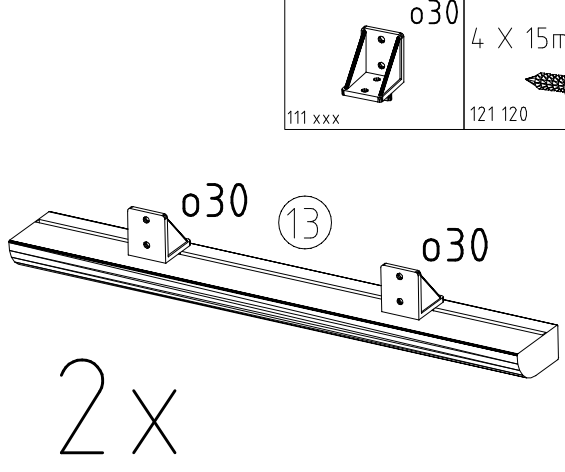
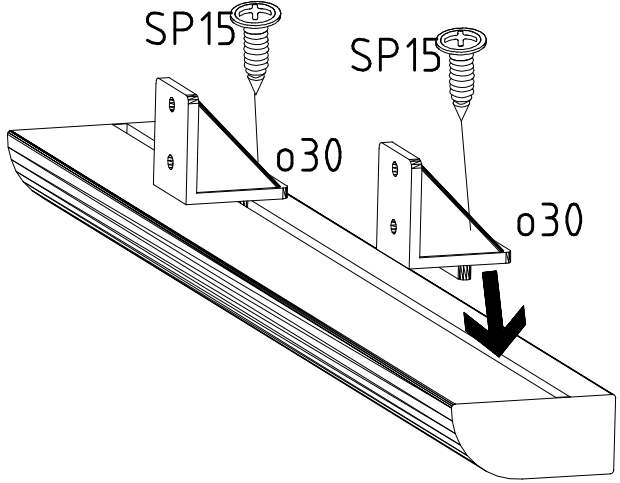


1

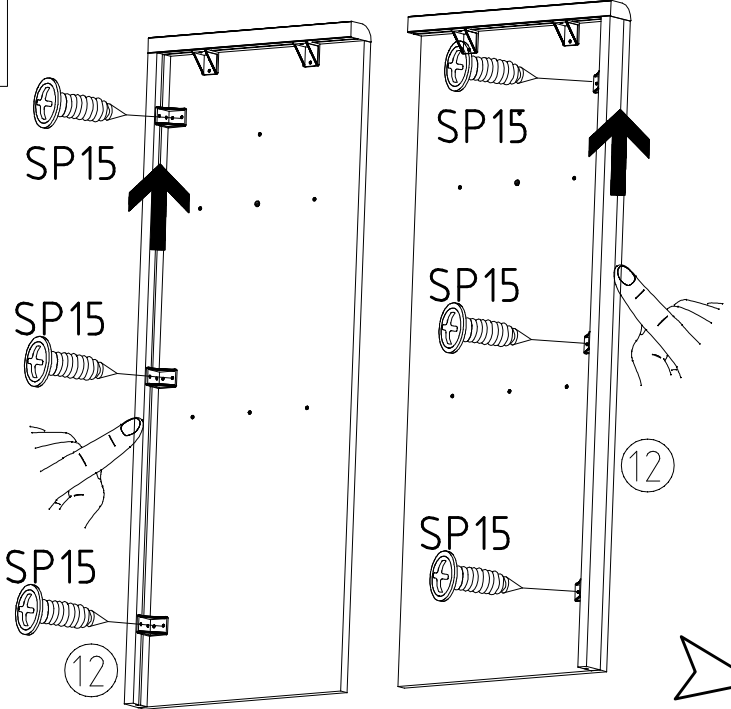
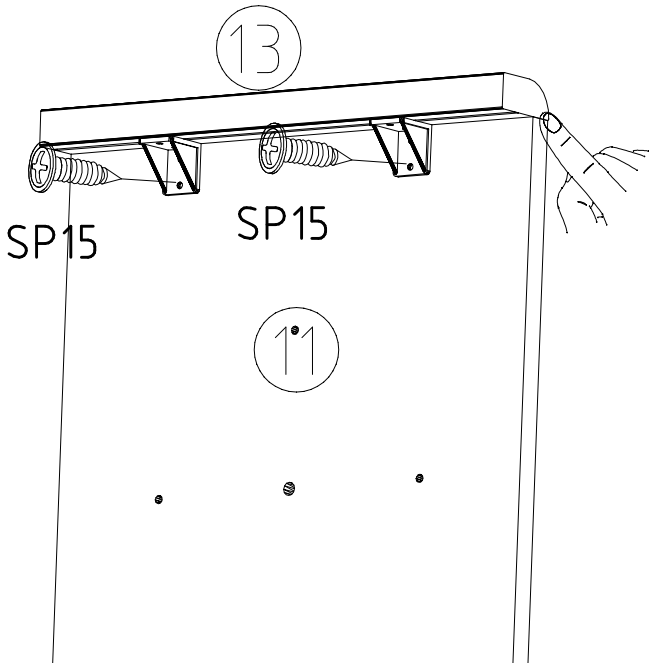
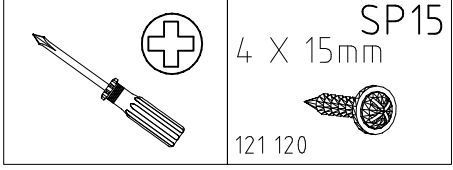
A



2



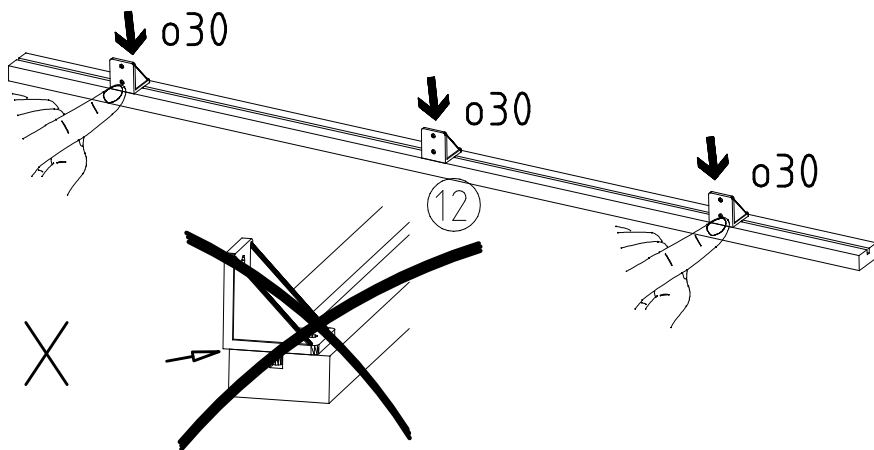
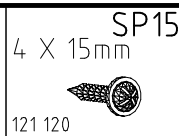
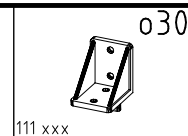
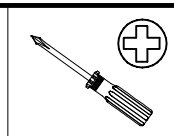
3



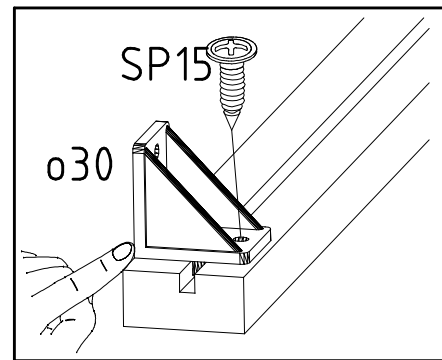
7

4

B

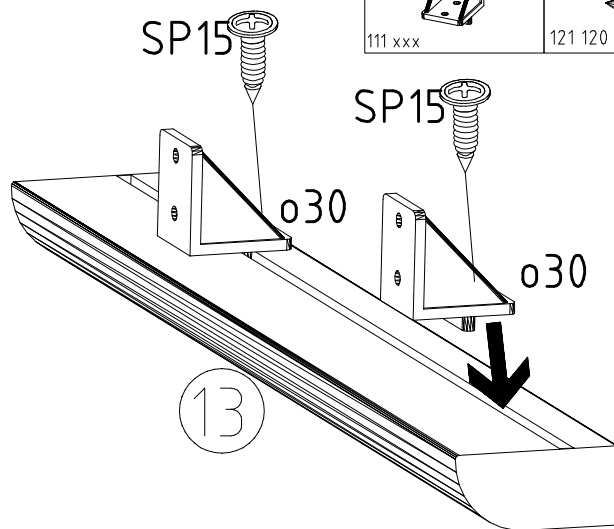
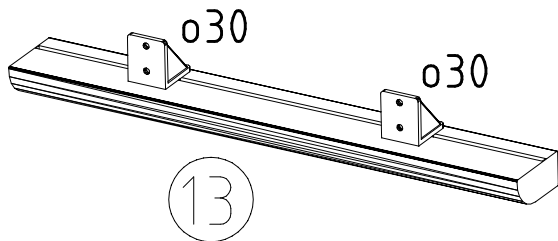
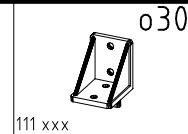


4 X

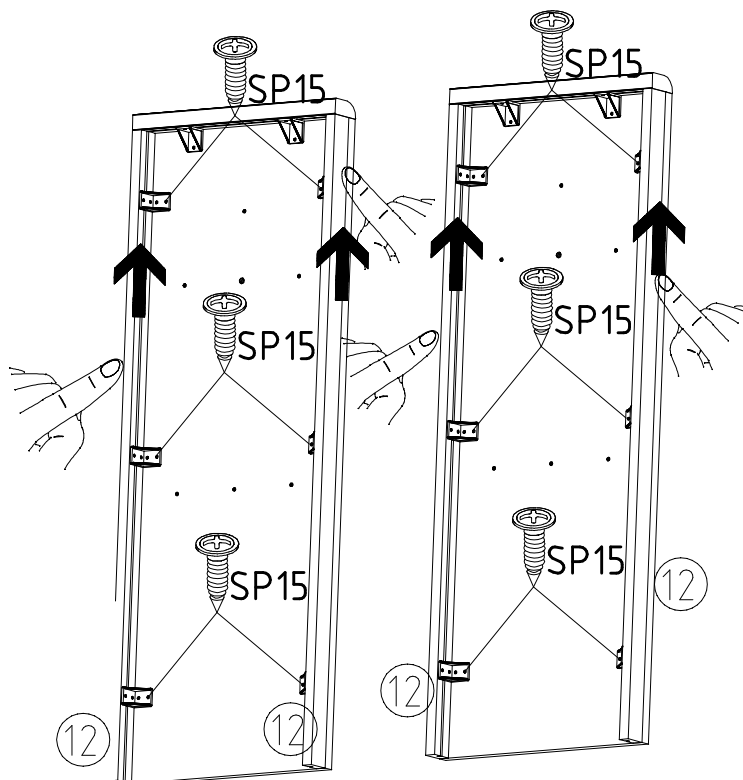
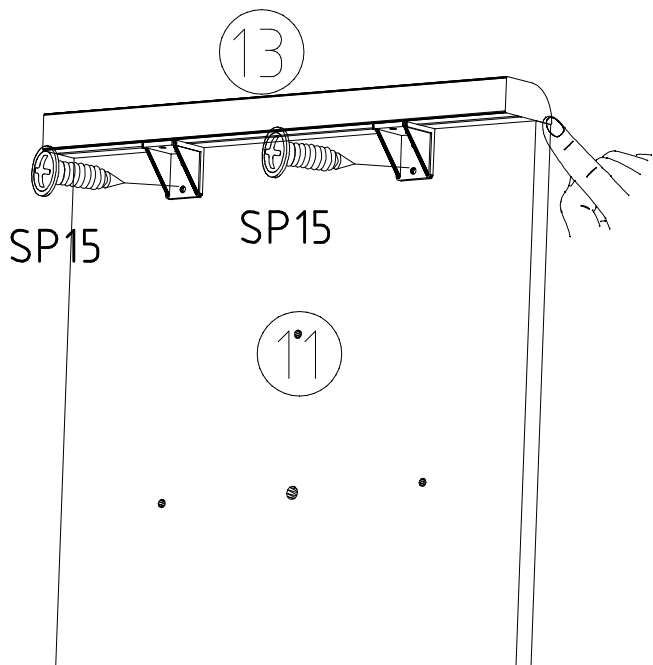
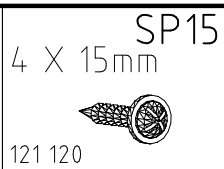
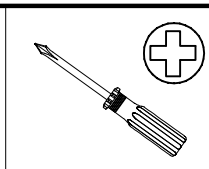


5

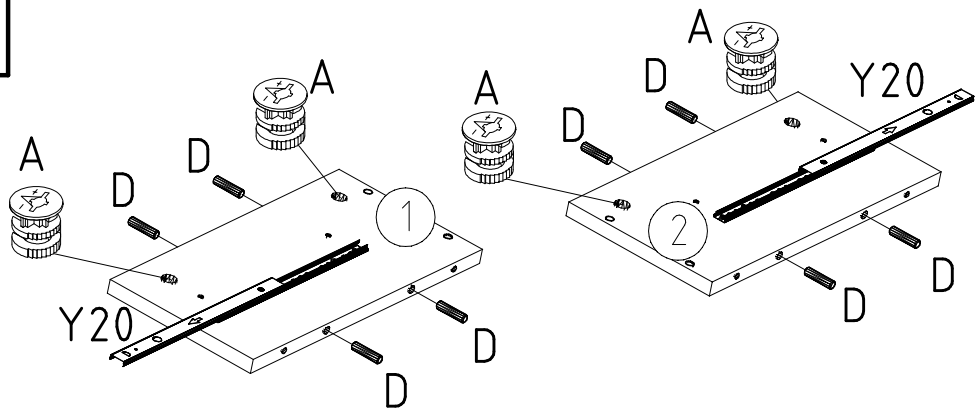
2 X



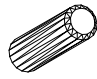
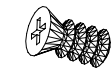
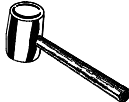
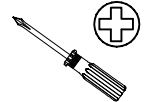


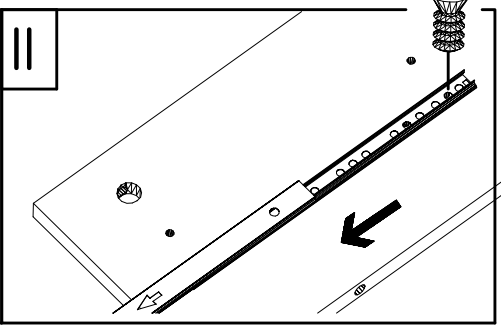
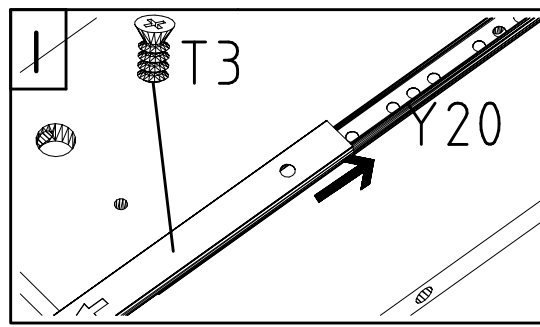
6



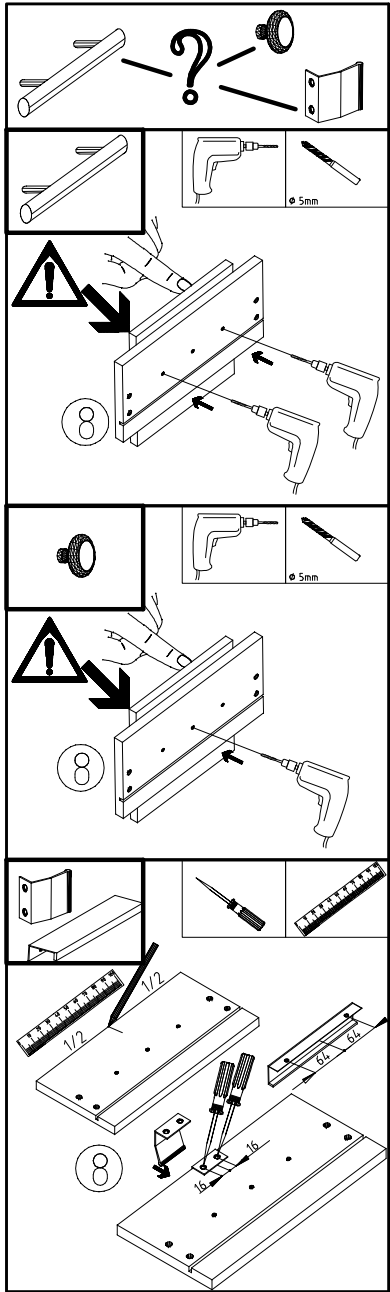
7



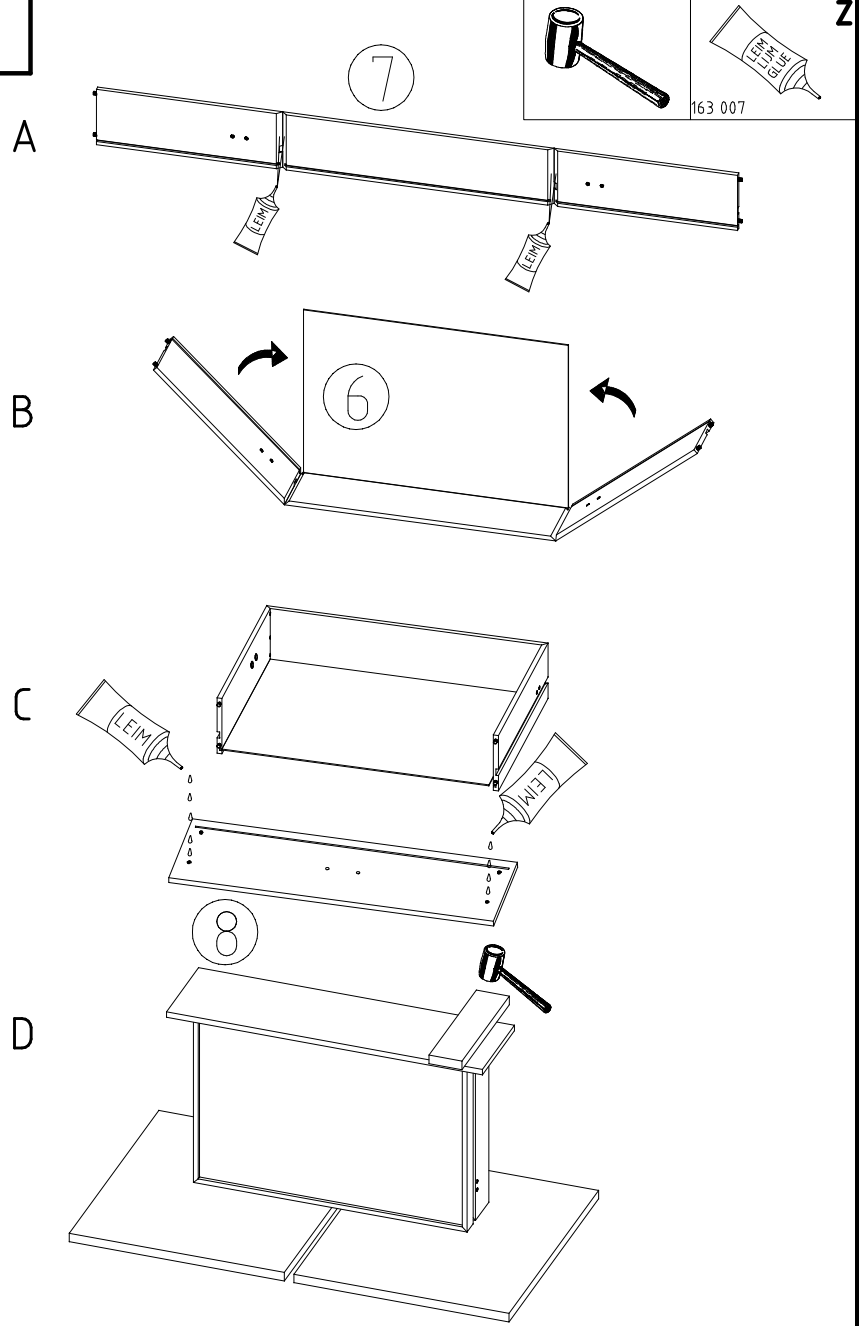
 111 102	 112 190 M6 x 10
 353 018 Ø8 x 30	 112 616
	

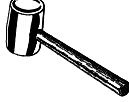



8

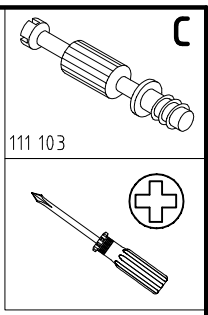
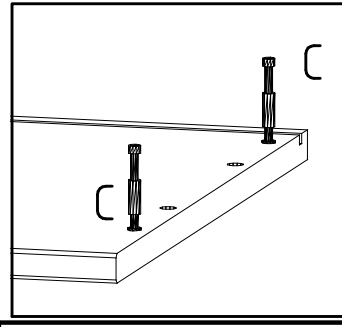
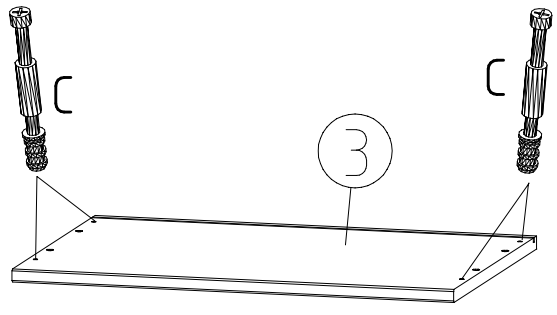


9

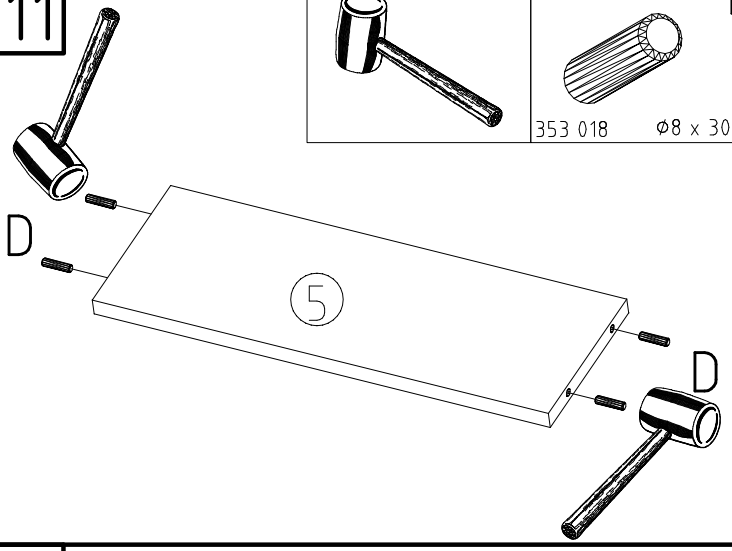


	 163 007
---	--

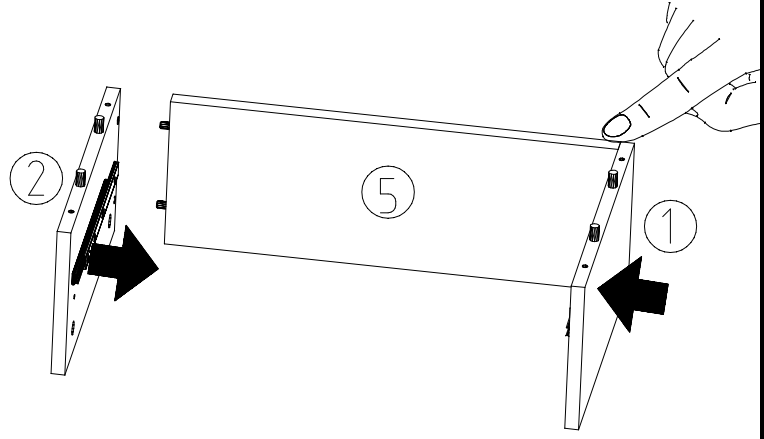
10



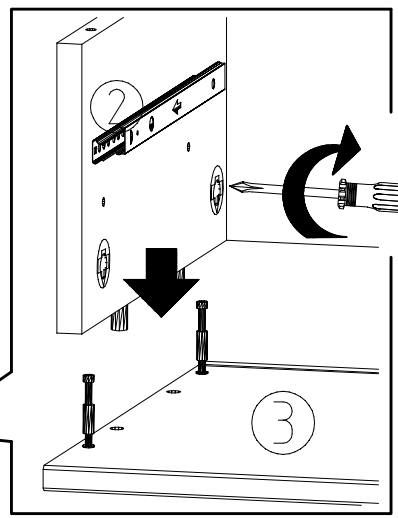
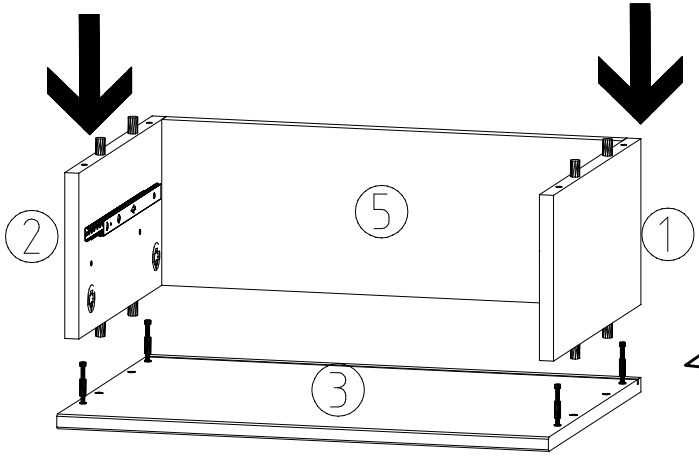
11



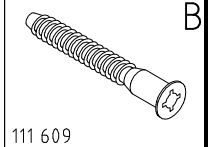
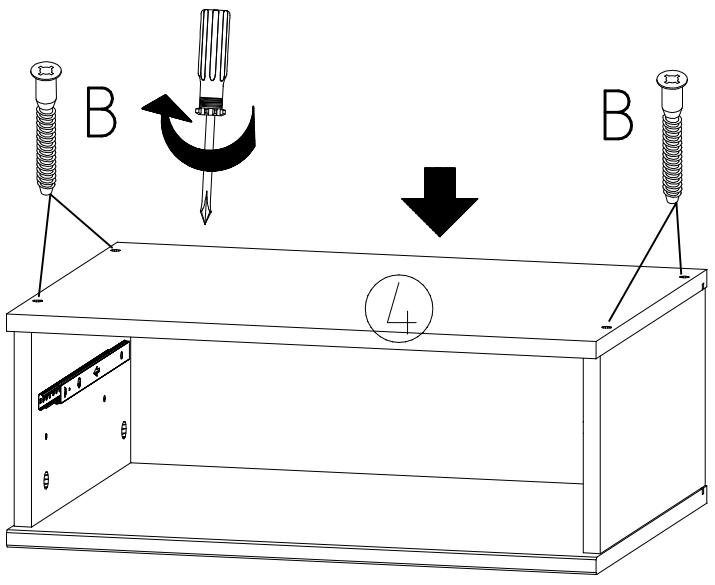
12



13

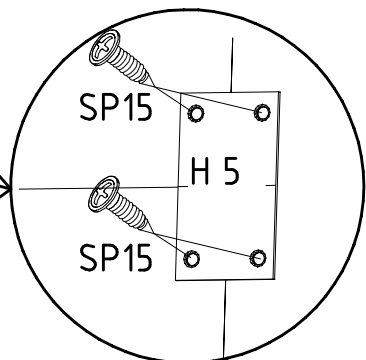
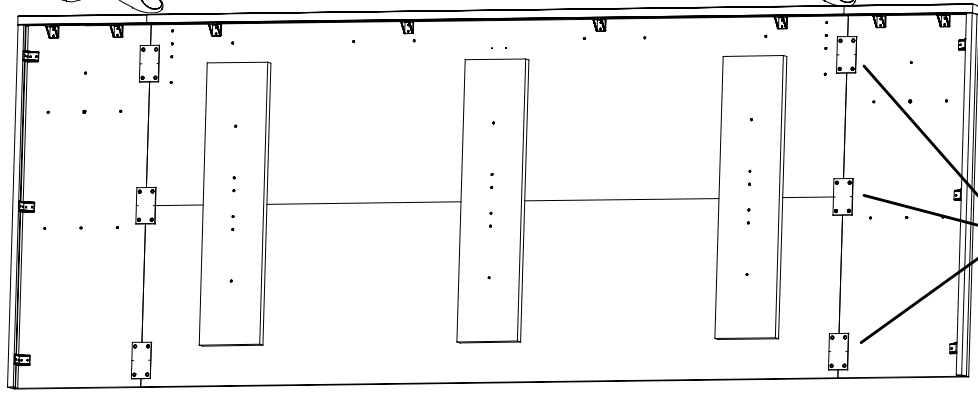
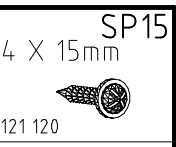
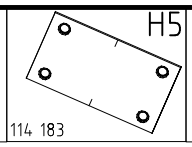
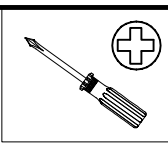


14

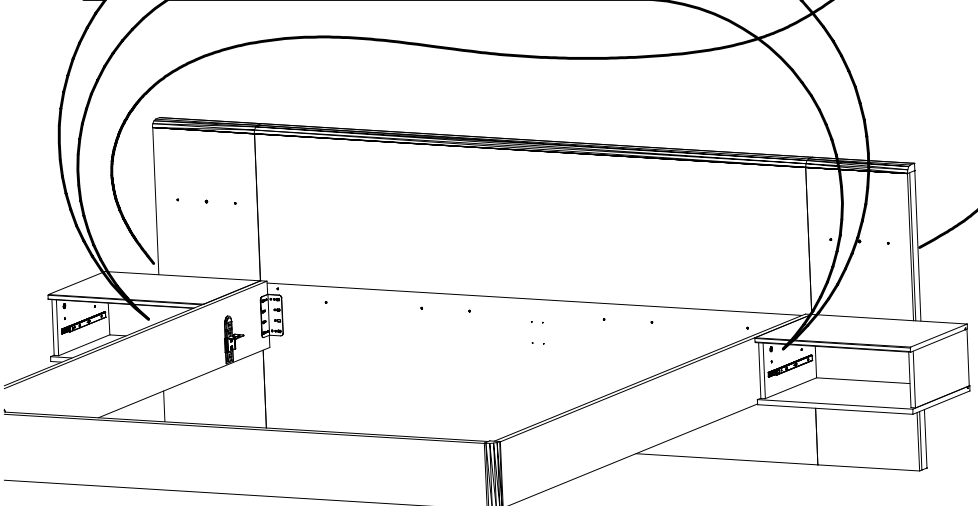
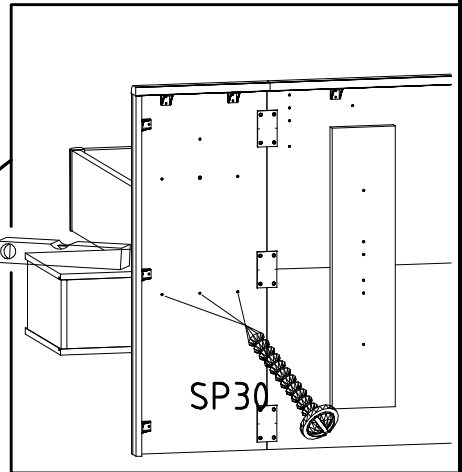
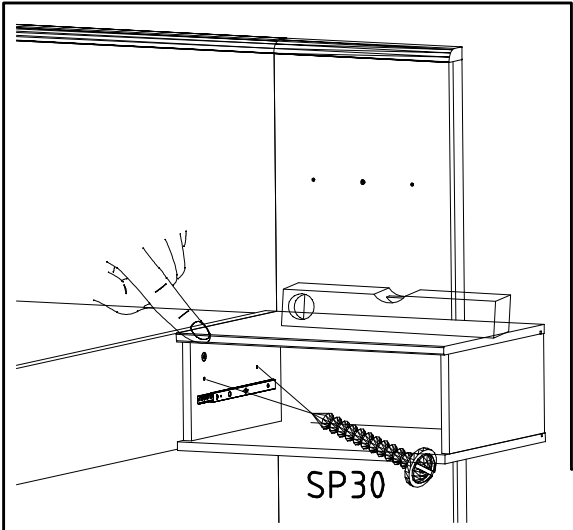
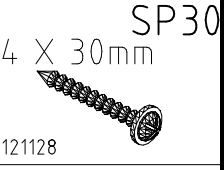
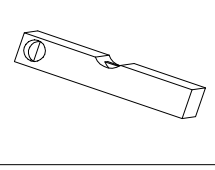
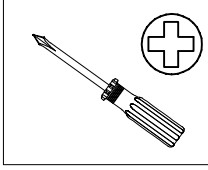


15

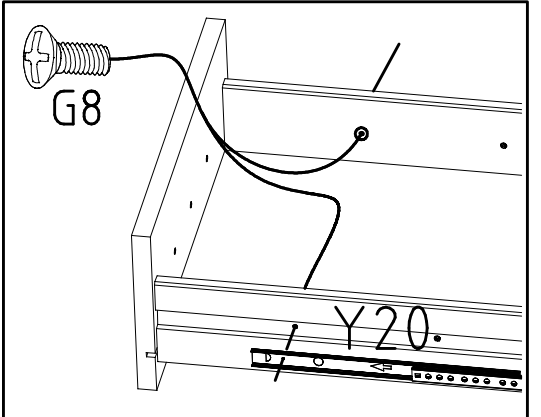
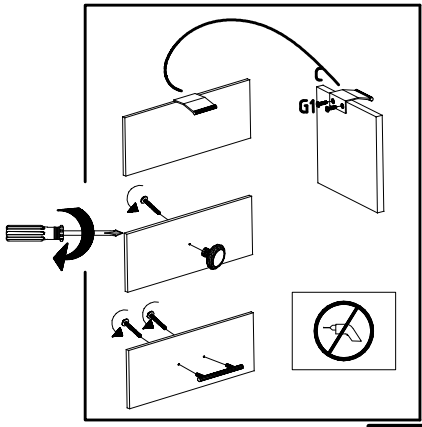
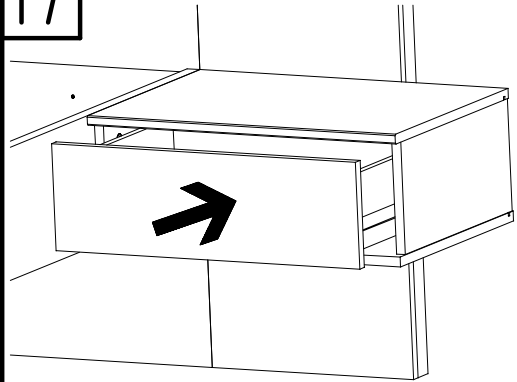
A



16

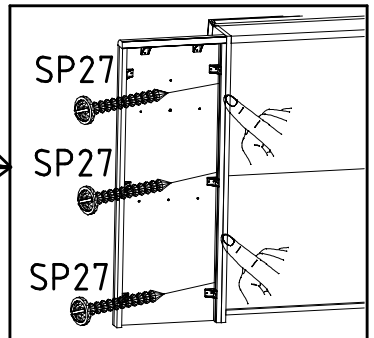
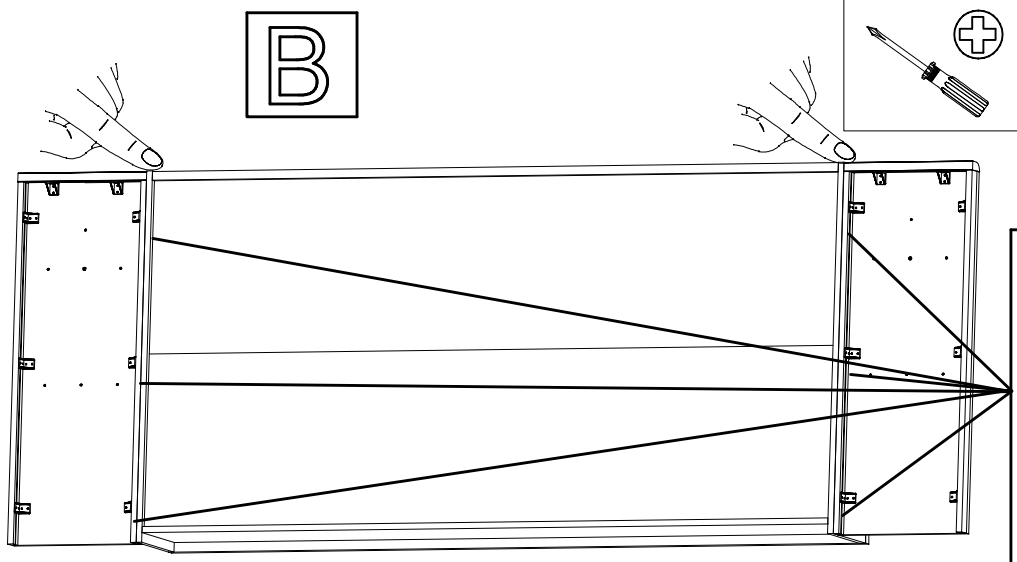


17

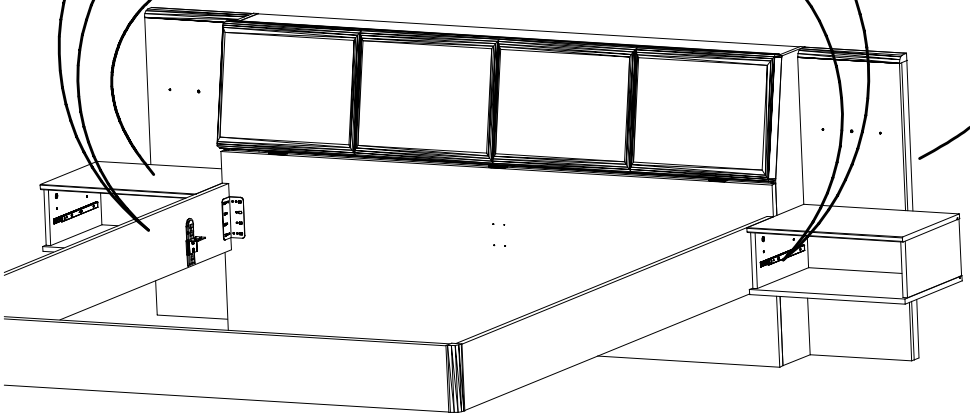
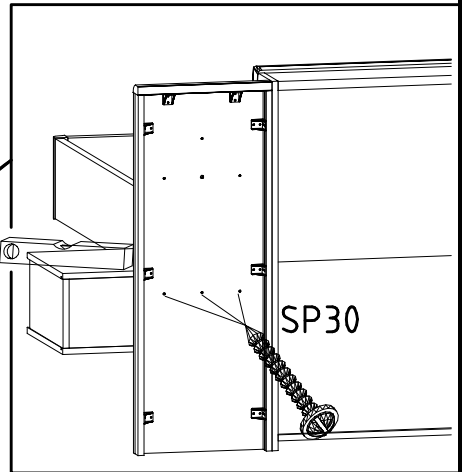
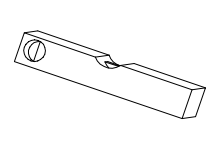
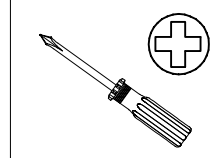
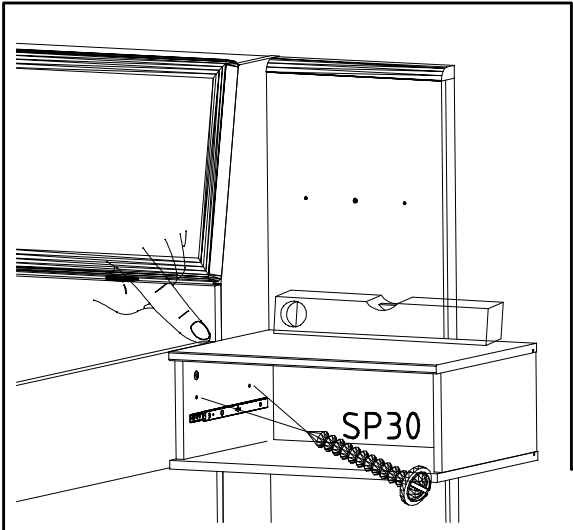


18

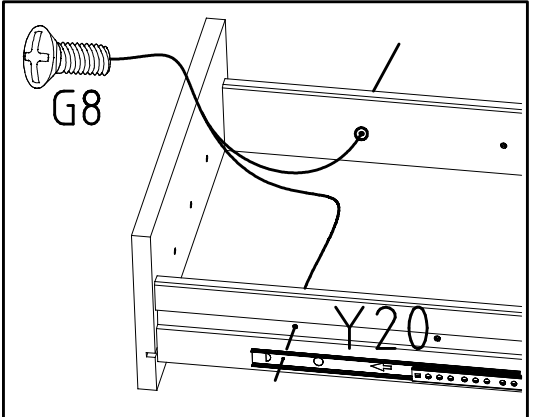
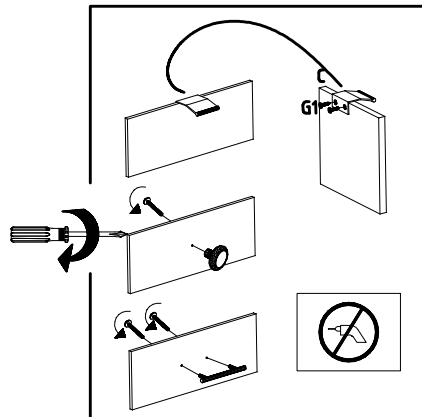
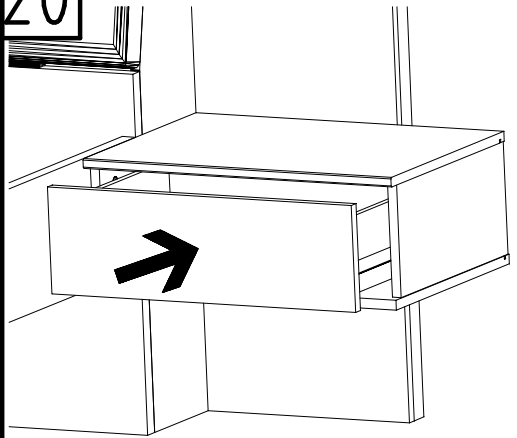
B



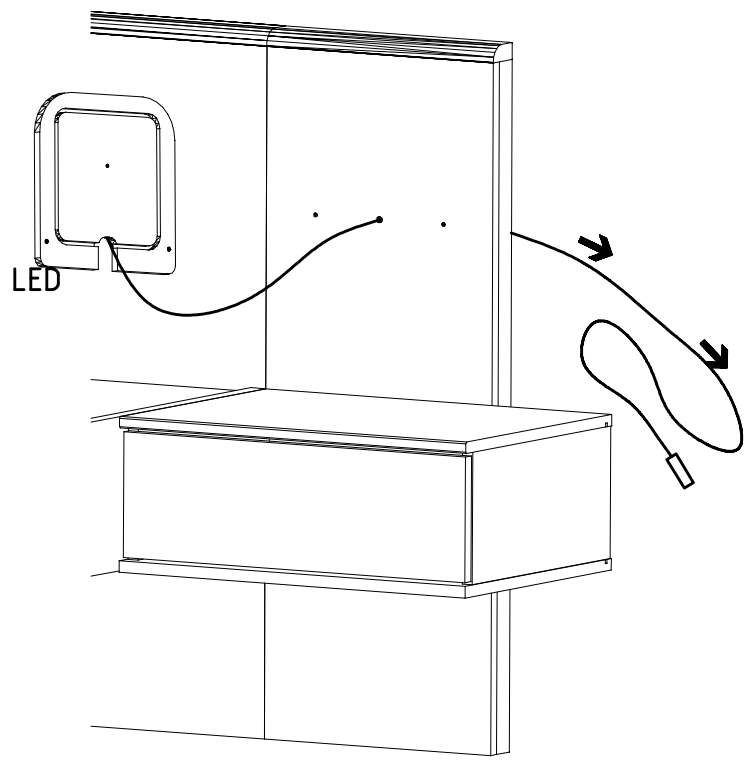
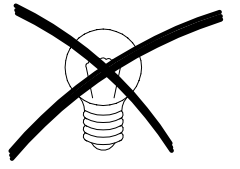
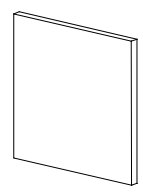
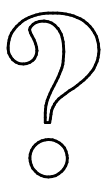
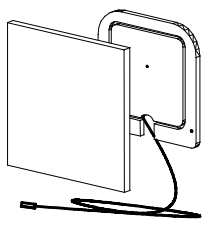
19



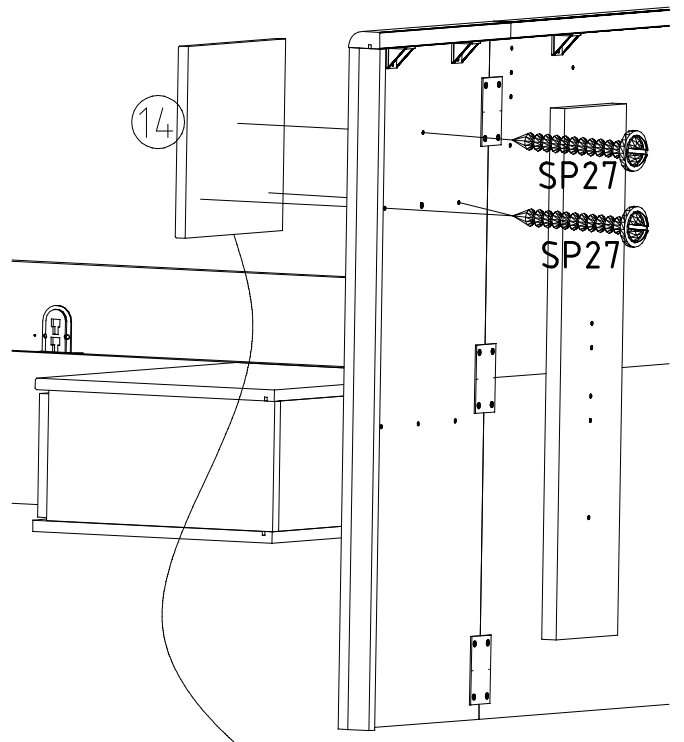
20



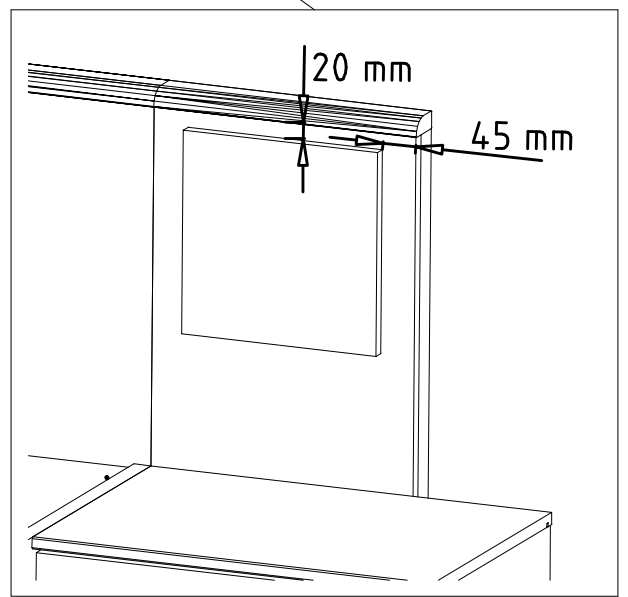
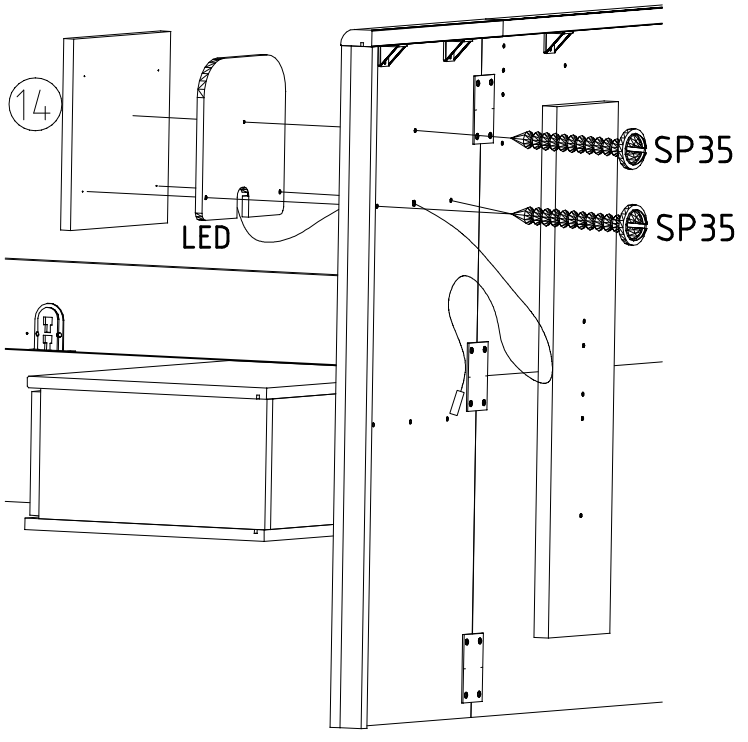
21



21



22



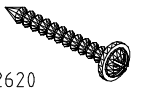
SP35



4 X 35 mm

SP27

4 X 27mm



122620

23

